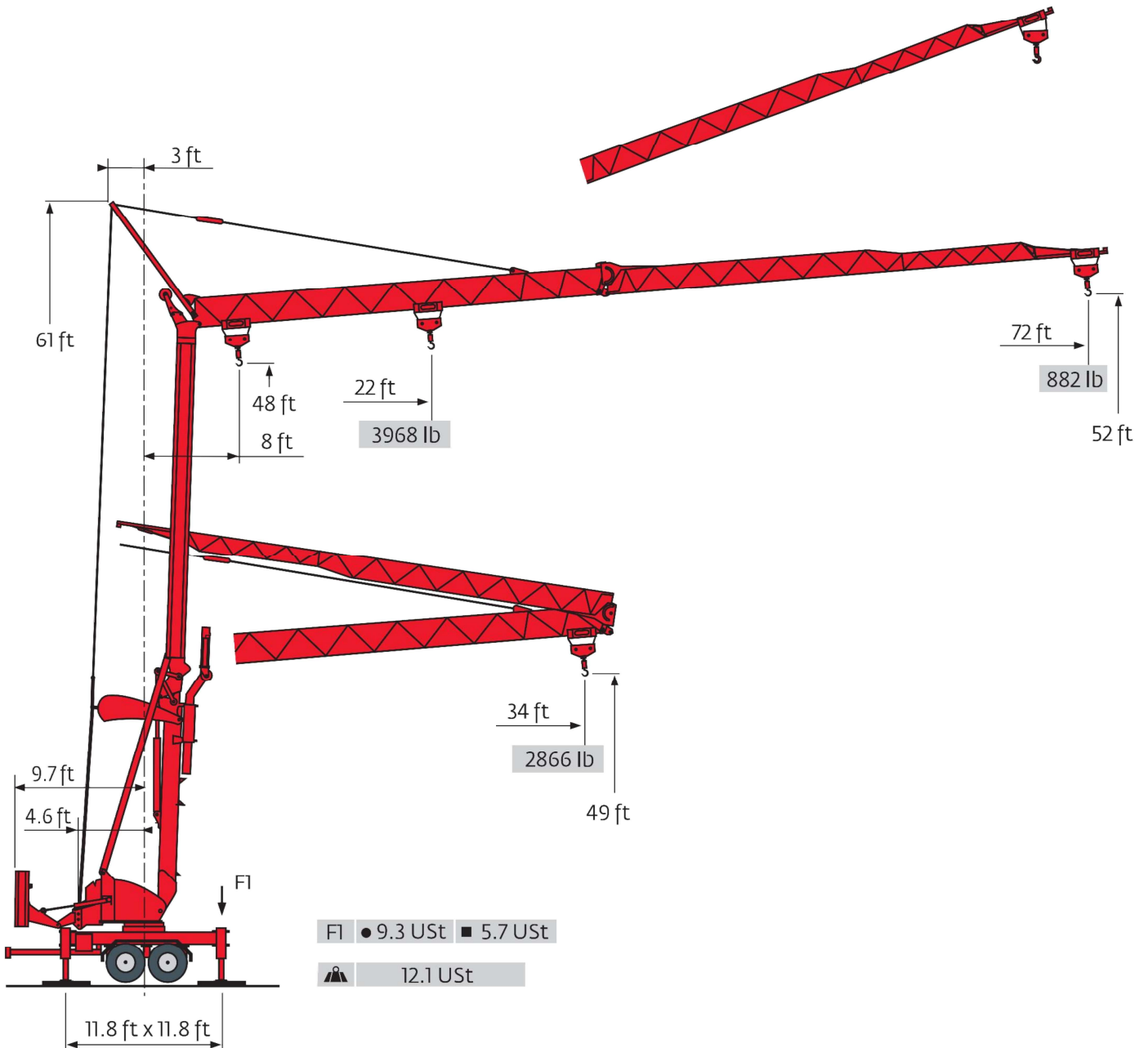




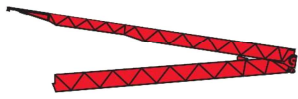
Data Sheet

FEM1.001-A3



Values have been rounded

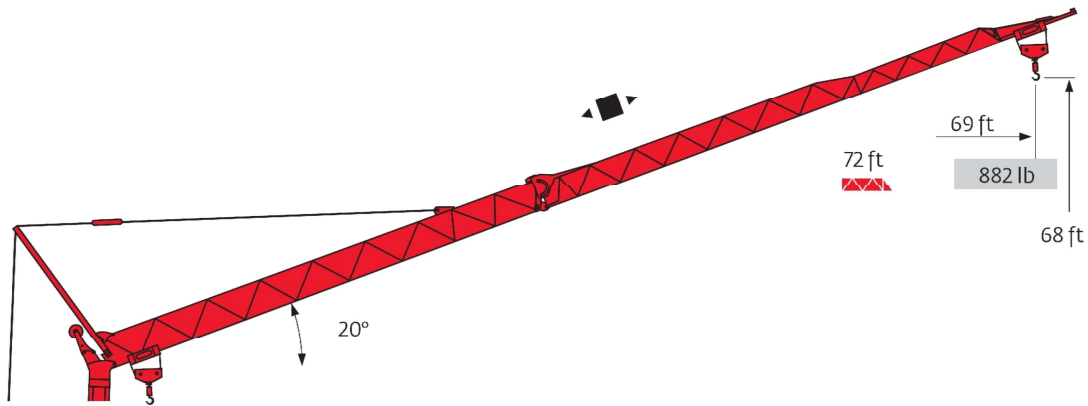
Load charts







72 ft




8	▶	27	30	33	34	ft	22	23	26	30	33	36	39	43	46	49	52	56	59	62	66	69	72	ft
		3968	3461	3042	2866	lb	3968	3770	3175	2745	2403	2138	1918	1731	1576	1455	1334	1235	1146	1069	1003	937	882	lb

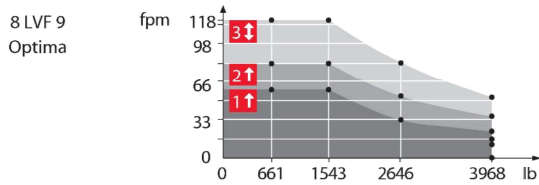


-  Traversing trolley
-  Reactions in service
-  Reactions out of service
-  Without load, ballast (or transport axles), with maximum jib and maximum height

Rocky Mountain Crane
P.O. Box 2888 / 14032 HWY 55
McCall, ID 83638
208-500-0101
www.rockymtncranes.com

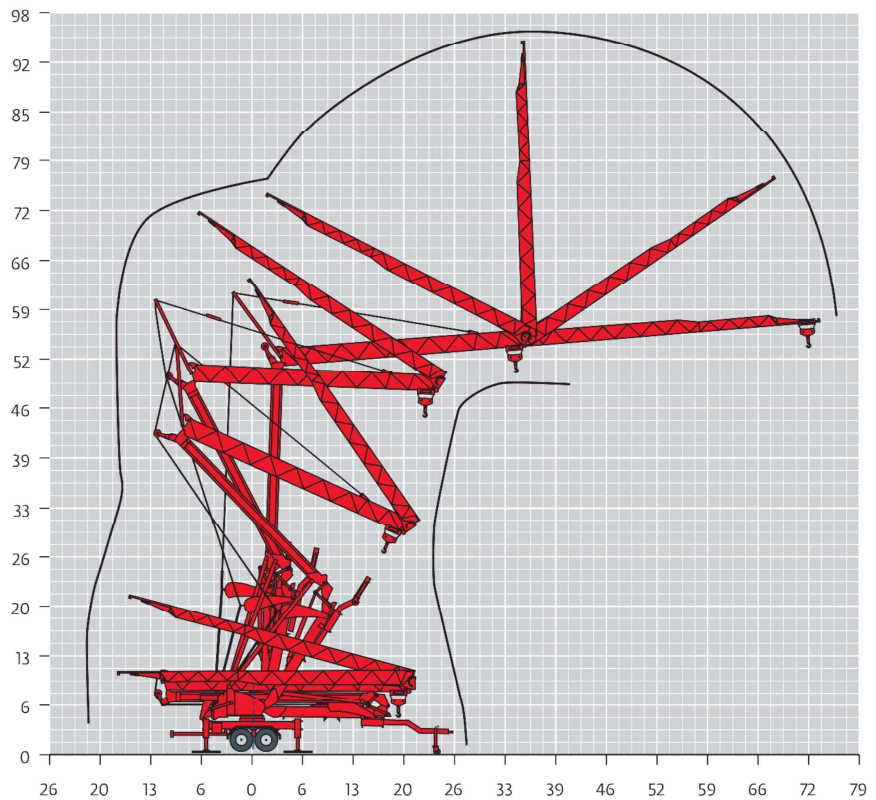
Mechanisms

									hp	kW	
▲ ▼	8 LVF 9 Optima	220 V 21 A 1	fpm	↑ 12	↓ 12	↑ 23	↓ 53	↑ 60	↓ 119	3.3	2.4
			lb	3968		3968		1543			
		220 V 34 A 2	fpm	↑ 12	↓ 12	↑ 37	↓ 52	↑ 83	↓ 119	5.2	3.8
			lb	3968		3968		1543			
		480 V 3	fpm	↓ 12		↓ 53		↓ 119		7.5	5.5
			lb	3968		3968		1543			
◀ ▶	1 DVF 4	-	fpm	46 - 92						1.5	1.1
⊙	RVF 20	-	rpm	0 → 1						1.5	1.1
						kW					
			220 V(+6% -10%) 60 Hz 480 V(+6% -10%) 60 Hz			220V 21 A: 2.4 kW 220V 34 A: 3.8 kW 480 V: 14 kW					

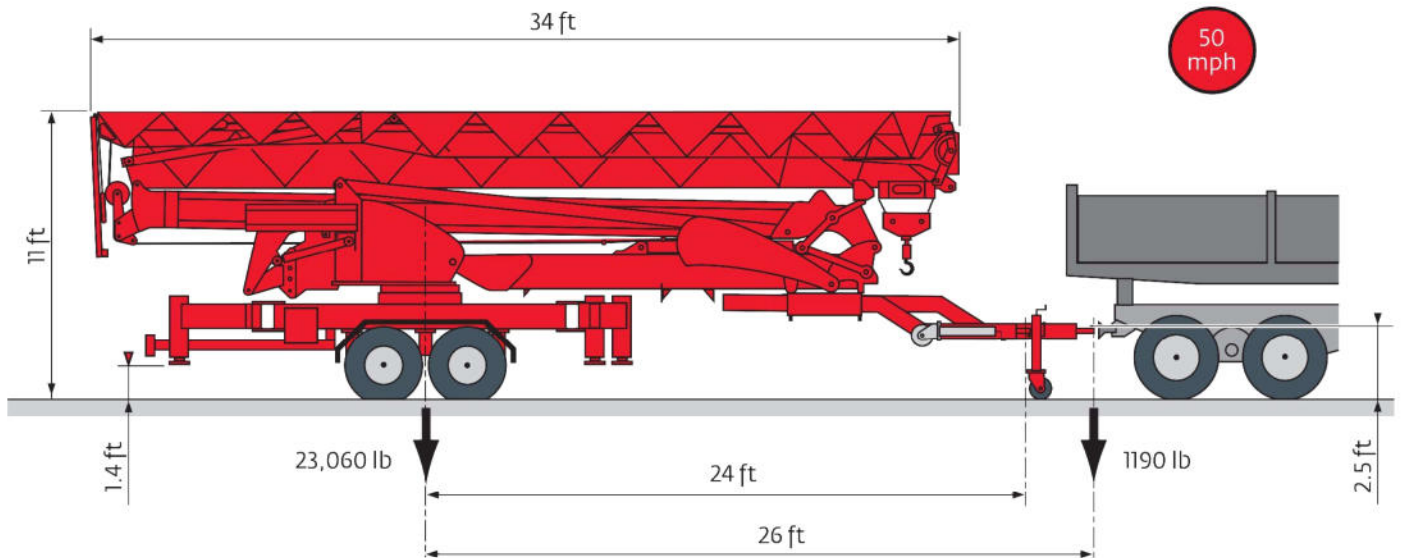


Crane profile

	Hoisting
	Trolleying
	Slewing
	60 Hz Single phase



Transport



Rocky Mountain Crane
P.O. Box 2888 / 14032 HWY 55
McCall, ID 83638
208-500-0101
www.rockymtncranes.com

Constant improvement and engineering progress make it necessary that we reserve the right to make specification, equipment and price changes without notice. Illustrations shown may include optional equipment and accessories, and may not include all standard equipment.



www.manitowoc.com

Regional Headquarters

Americas

Manitowoc, Wisconsin, USA
Tel: +1 920 684 6621
Fax: +1 920 683 6277

Shady Grove, Pennsylvania, USA
Tel: +1 717 597 8121
Fax: +1 717 597 4062

Europe, Middle East, Africa

Ecully, France
Tel: +33 47218 2020
Fax: +33 47218 2000

Asia - Pacific

Shanghai, China
Tel: +86 21 6457 0066
Fax: +86 21 6457 4955

Potain Igo MA13
Code 04-020-2M-1209