

1140 RBI-US



EN 14439-C25
FEM 1.001-A3
2000/14/CE



Simple setup



FM-Link



Power Control



ASsys



ACsys

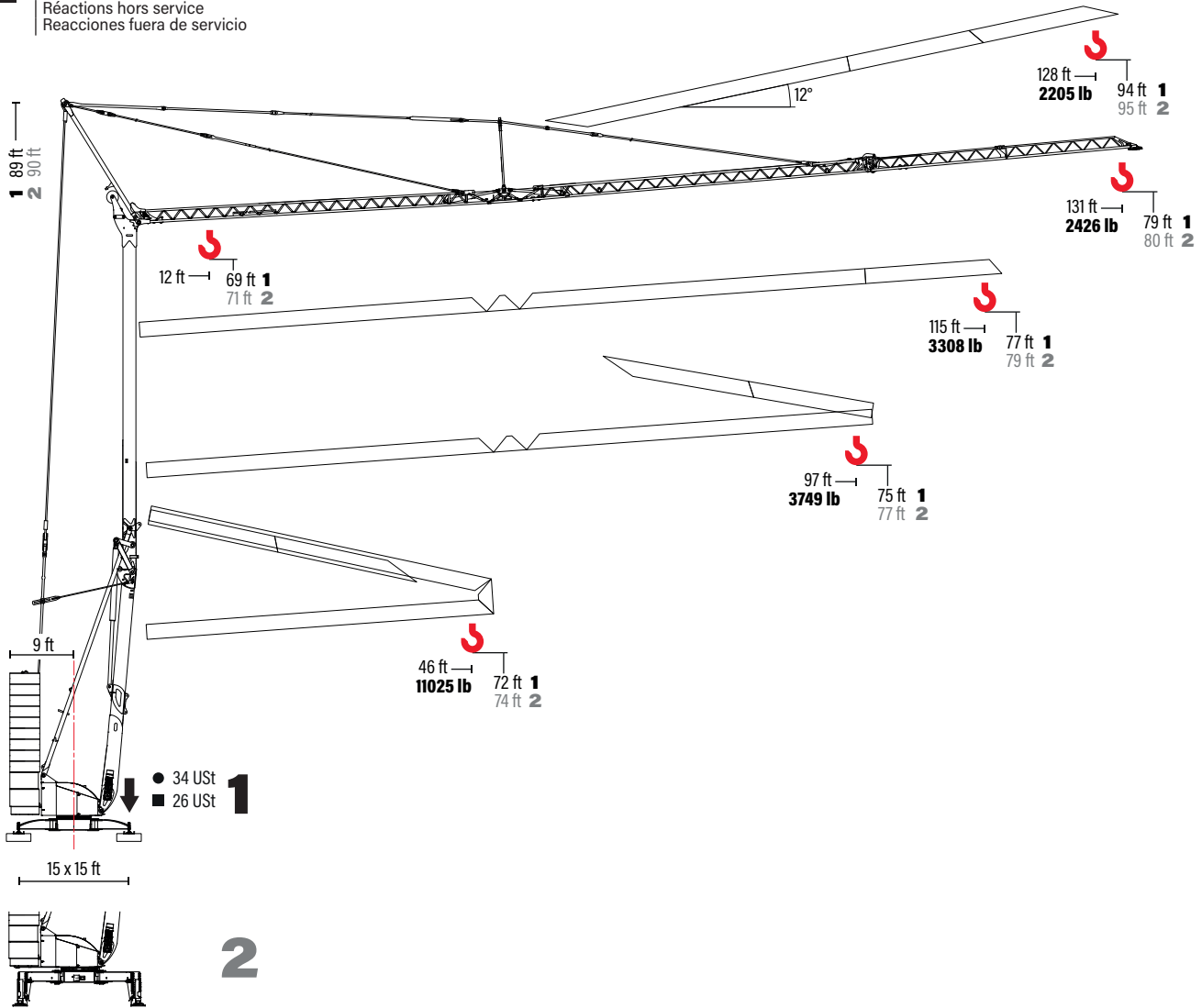
1140 RBI-US

Funzionamento

Operation - Betrieb - Exploitation - Accionamiento

- Reazioni in servizio
Reactions in service
Reaktionskräfte in Betrieb
Réactions en service
Reacciones en servicio

- Reazioni fuori servizio
Reactions out of service
Reaktionskräfte außer Betrieb
Réactions hors service
Reacciones fuera de servicio



22 USt + 2x2.4 USt + 2x1.4 USt + 9x2.6 USt = 53.5 USt

Values have been rounded

Diagramma di portate

Load diagram - Lastkurven - Courbes de charges - Curvas de cargas

5°

	ft	10	39	46	52	59	66	72	79	85	92	97	98	105	112	115	118	125	131
131 ft	5512 lb - 66 ft	lb			5512			4960	4475	4057	3726	3483	3417	3175	2954	2866	2756	2579	2425
115 ft	5512 lb - 74 ft	lb			5512				5159	4696	4299	4034	3968	3682	3417	3307			
97 ft	5512 lb - 70 ft	lb			5512			5313	4806	4365	3990	3748							

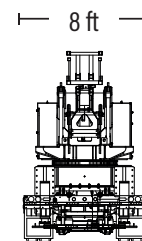
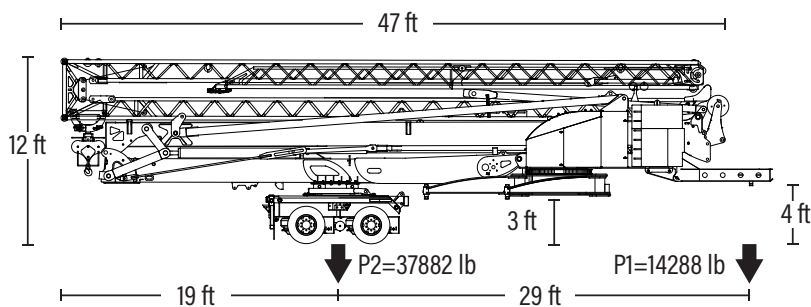
	ft	10	39	46	52	59	66	72	79	85	92	97	98	105	112	115	118	125	131	
131 ft	11023 lb - 36 ft	lb	11023	10009	8223	6945	5997	5269	4674	4211	3814	3461	3241	3175	2932	2712	2623	2535	2359	2205
115 ft	11023 lb - 41 ft	lb	11023		9524	8069	6967	6129	5445	4894	4431	4057	3792	3726	3439	3197	3086			
97 ft	11023 lb - 39 ft	lb	11023		8885	7518	6504	5710	5071	4564	4145	3770	3527							
46 ft	11023 lb - 46 ft	lb	11023																	

12°

	ft	10	128
128 ft	2205 lb - 128 ft	lb	2204

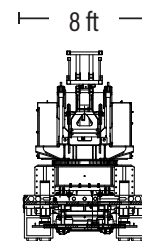
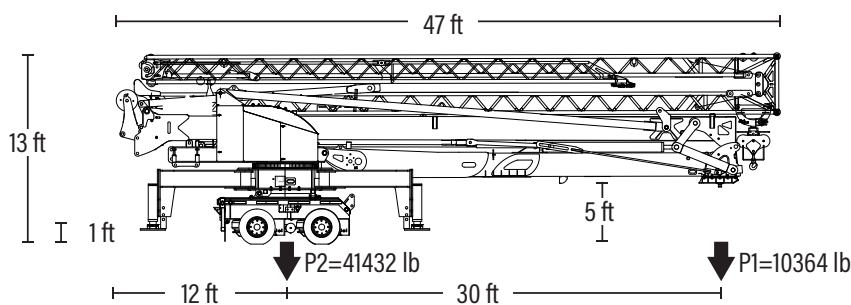
Trasporto

Transport - Transport - Transport - Transporte



50 mph

52170 lb



50 mph



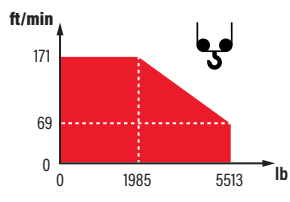

51795 lb

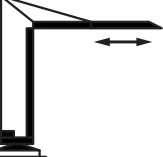
Values have been rounded


1140 RBI-US


Meccanismi

Mechanisms - Antriebe - mécanismes - Mecanismos

	V15.45 11 kW		ft/min	13	69	138	151	171	
			lb	5513	5513	2756	2426	1985	
			ft/min	7	34	69	75	85	
			lb	11025	11025	5513	4851	3969	

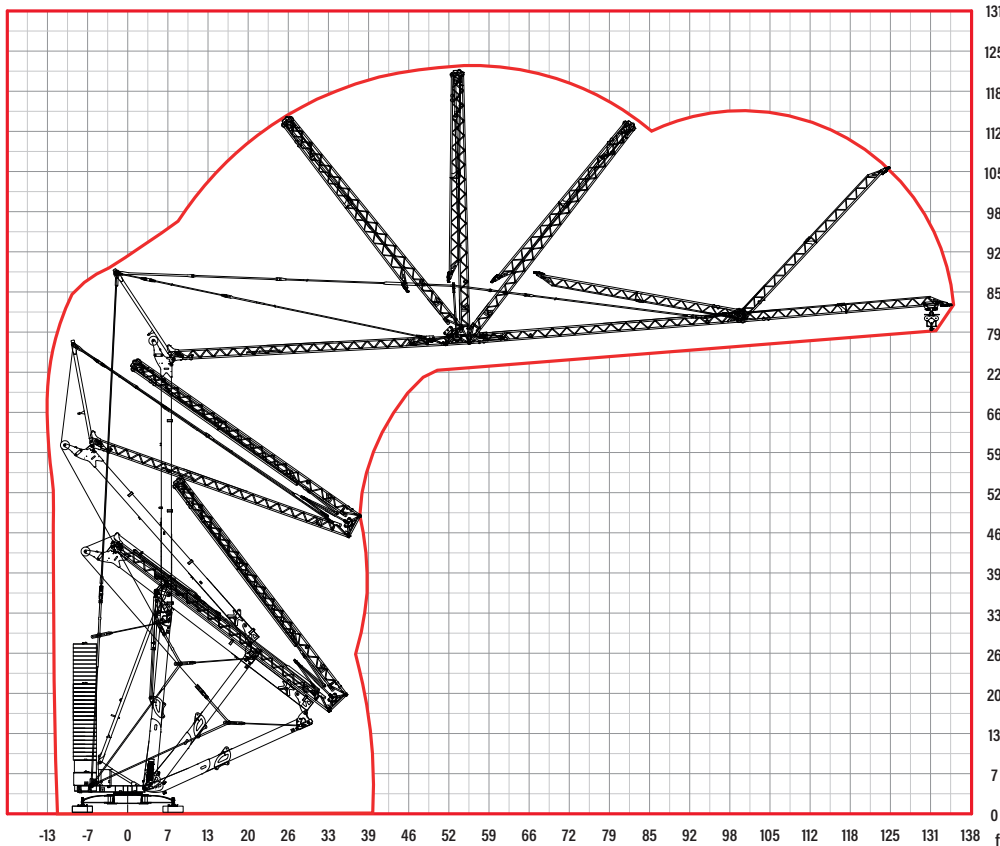
	0 <-> 144 ft/min 5.5 kW
---	----------------------------

	0 <-> 0.7 rpm 3.7 kW
---	-------------------------

	240/480 V 60 Hz	25 kVA
---	--------------------	-----------

Montaggio

Erection- Montage - Montage - Montaje



Documento commerciale non contrattuale.
Per tutte le informazioni tecniche riferirsi alle corrispondenti istruzioni.

This commercial document is not legally binding. For any technical information, please refer to the corresponding instructions.

Unverbindliches Vertriebsdokument.
Für technische Informationen, siehe die entsprechenden Anweisungen.

Ce document commercial n'est pas juridiquement contraignant. Pour toute information technique, veuillez vous référer aux instructions correspondantes.

Documento comercial no contractual.
Para cualquier información técnica, ver la noticia correspondiente.



Values have been rounded

